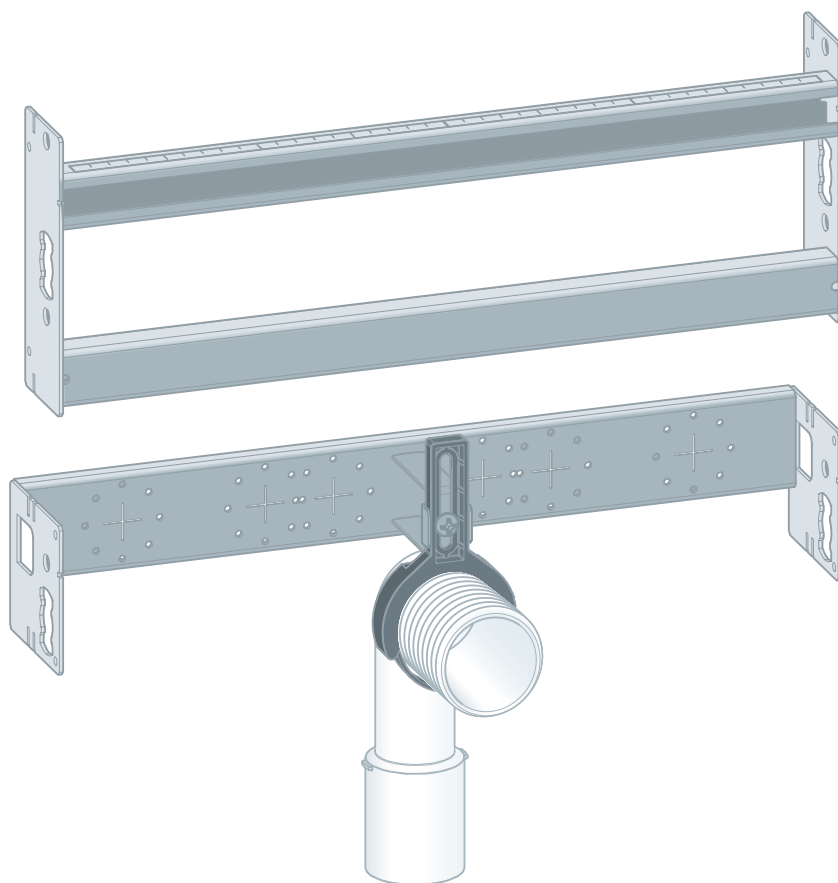


Prevista Dry Plus washbasin module

Instructions for Use



for WB with single-hole fitting

Model
8545

Year built:
from 03/2019

en_INT

viega

Table of contents

1	About these instructions for use	4
1.1	Target groups	4
1.2	Labelling of notes	4
1.3	About this translated version	5
2	Product information	6
2.1	Intended use	6
2.1.1	Areas of use	6
2.2	Product description	6
2.2.1	Overview	6
2.2.2	Compatible components	7
2.2.3	Technical data	7
3	Handling	8
3.1	Assembly information	8
3.1.1	Mounting conditions	8
3.1.2	Installation dimensions	8
3.2	Assembly	8
3.2.1	Mounting module	8
3.2.2	Set and clad the module	11
3.3	Disposal	12

1 About these instructions for use

Trade mark rights exist for this document; for further information, go to viega.com/legal.

1.1 Target groups

The information in this instruction manual is directed at the following groups of people:

- Heating and sanitary professionals and trained personnel
- Drywall builder

Individuals without the abovementioned training or qualification are not permitted to mount, install and, if required, maintain this product. This restriction does not extend to possible operating instructions.

The installation of Viega products must take place in accordance with the general rules of engineering and the Viega instructions for use.

1.2 Labelling of notes

Warning and advisory texts are set aside from the remainder of the text and are labelled with the relevant pictographs.



DANGER!

This symbol warns of possible life-threatening injury.



WARNING!

This symbol warns of possible serious injury.



CAUTION!

This symbol warns of possible injury.



NOTICE!

This symbol warns of possible damage to property.



This symbol gives additional information and hints.

1.3 About this translated version

This instruction for use contains important information about the choice of product or system, assembly and commissioning as well as intended use and, if required, maintenance measures. The information about the products, their properties and application technology are based on the current standards in Europe (e.g. EN) and/or in Germany (e.g. DIN/DVGW).

Some passages in the text may refer to technical codes in Europe/Germany. These should serve as recommendations in the absence of corresponding national regulations. The relevant national laws, standards, regulations, directives and other technical provisions take priority over the German/European directives specified in this manual: The information herein is not binding for other countries and regions; as said above, they should be understood as a recommendation.

2 Product information

2.1 Intended use

2.1.1 Areas of use

The Prevista Dry Plus washbasin module is designed for mounting in a Prevista Dry Plus pre-wall construction.

2.2 Product description

2.2.1 Overview

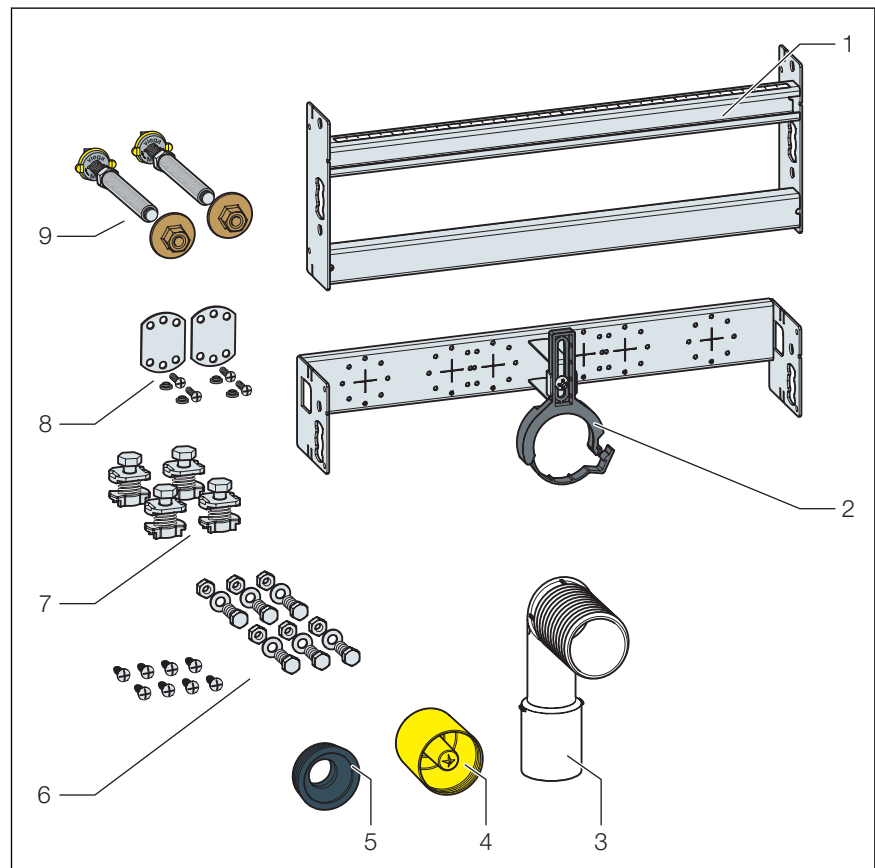


Fig. 1: Components and scope of delivery

- 1 Washbasin module
- 2 mounting bracket for drain elbow
- 3 drain elbow
- 4 Protective plug
- 5 Flushing pipe connector
- 6 Screws for fixing in support profile
- 7 slot nuts
- 8 Assembly accessories wall plates
- 9 threaded rods for fixing sanitary objects

2.2.2 Compatible components

The washbasin module is compatible with all common washbasin ceramics, even with larger projection (barrier-free).

2.2.3 Technical data

Drain elbow (outlet side)	DN 40 / 50
Rubber nipple	DN 50 / 30

3 Handling

3.1 Assembly information

3.1.1 Mounting conditions

Suitable walls

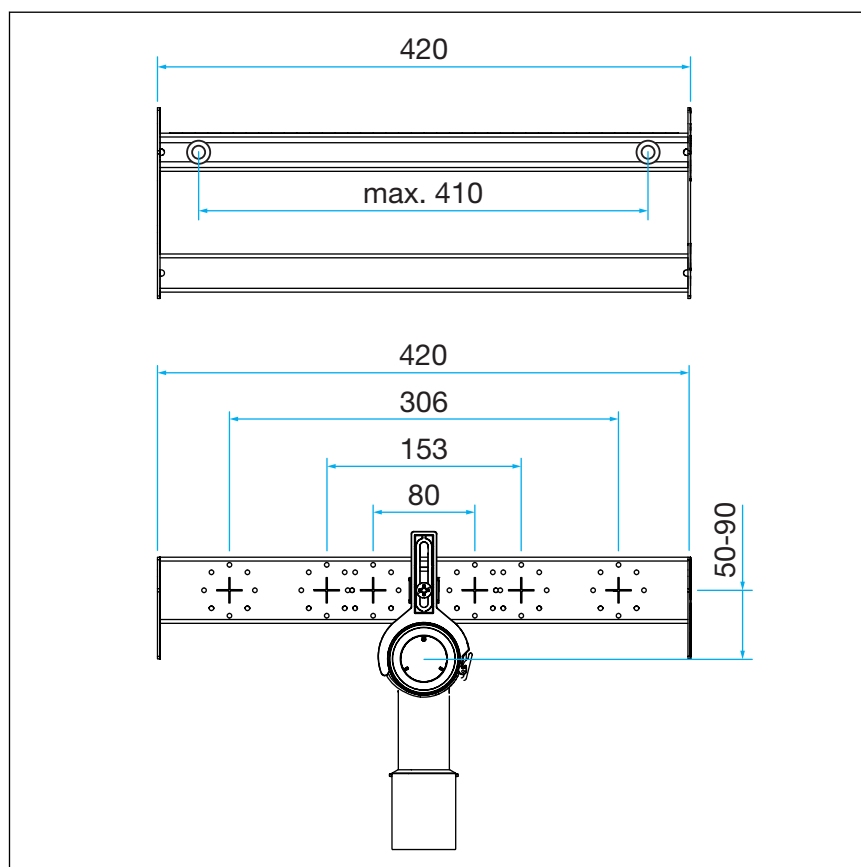
- Prevista Dry Plus pre-wall constructions

The washbasin module may only be mounted on even wall surfaces.

Construction height

With the construction height, the marked height of the upper edge of the finished floor must be observed.

3.1.2 Installation dimensions

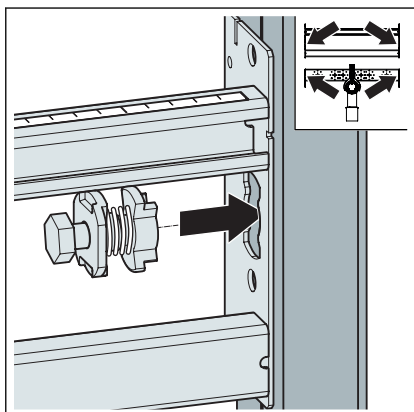


3.2 Assembly

3.2.1 Mounting module

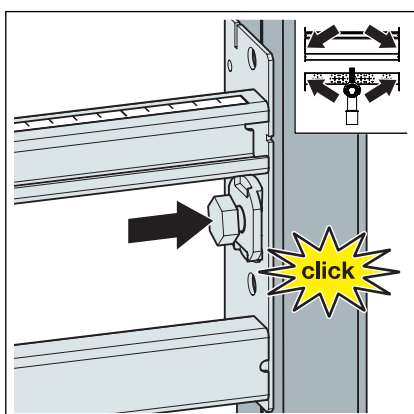
Mounting in Prevista Dry Plus

i The two vertical rails, which surround the module, must be open towards the module and have an inner distance of 420 mm.

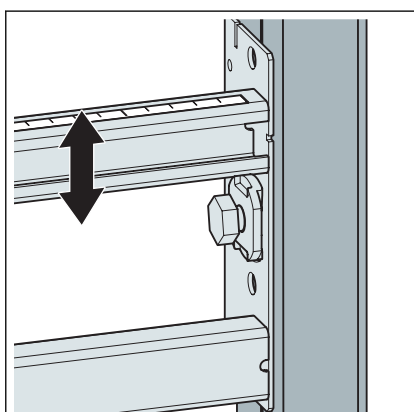


- Secure the module onto the open mounting rail with the slot nuts supplied.

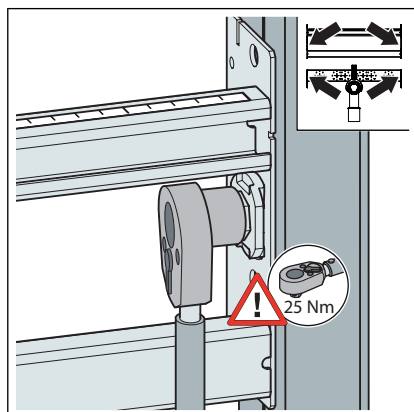
Insert the slot nut into the opening of the module.



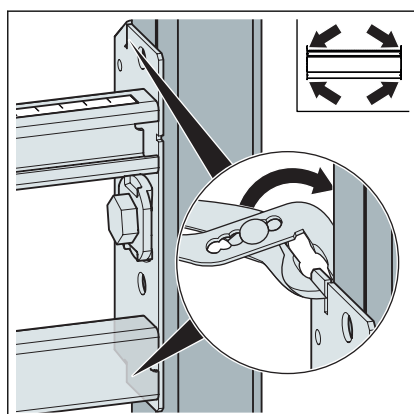
- Push the slot nut in until it engages.



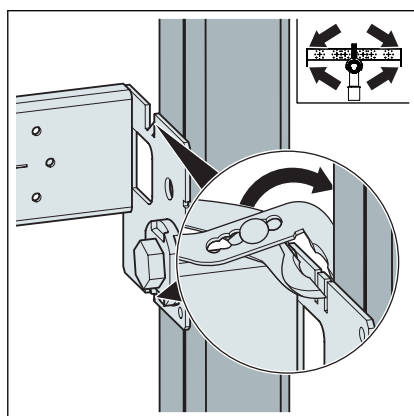
- Set the height of the rail.



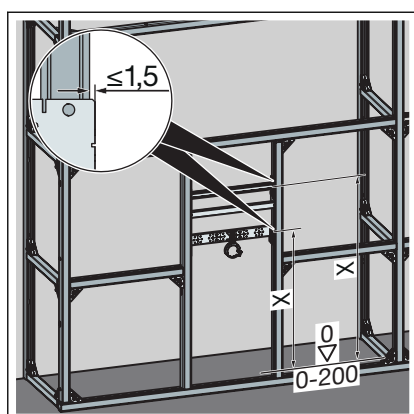
► Fasten the slot nut.



► Bend the sides of the metal bars of the rails.

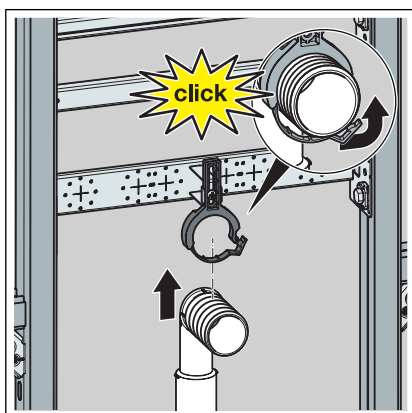


► Bend the sides of the metal bars of the fitting holder.

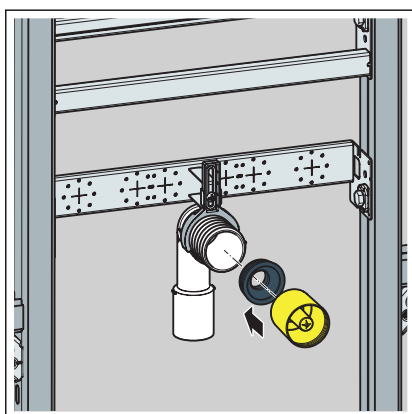


► Set the height of the module according to the ceramic manufacturer's instructions.

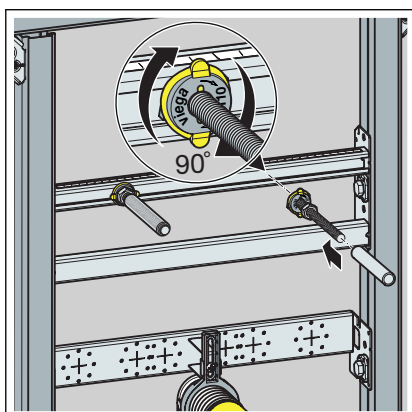
3.2.2 Set and clad the module



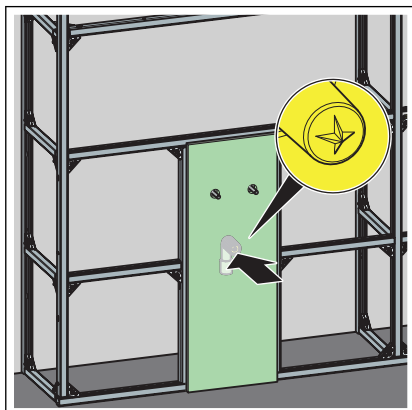
- Mount the drain elbow.



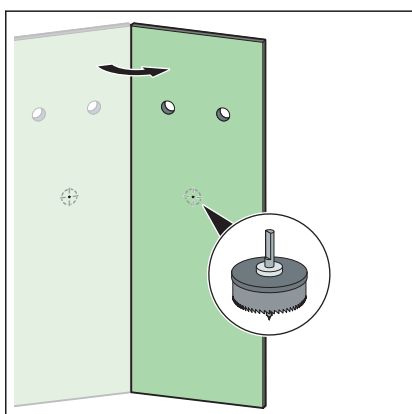
- Mount the seal and the plug.



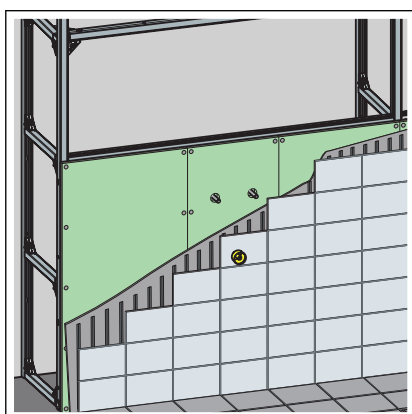
- Turn in the threaded rods by hand.
- Tighten the nuts of the threaded rods with a fork spanner (size 17).
- Place the protective caps on the threaded rods.
- Make the water connections.



- Corn the gypsum cardboard cladding panel at the plug using gentle pressure.



- Cut out the recesses for the plug and the threaded rods.
 - X1: min. 58 mm



- Clad the module with suitable gypsum cardboard cladding panels.

3.3 Disposal

Separate the product and packaging materials (e. g. paper, metal, plastic or non-ferrous metals) and dispose of in accordance with valid national legal requirements.